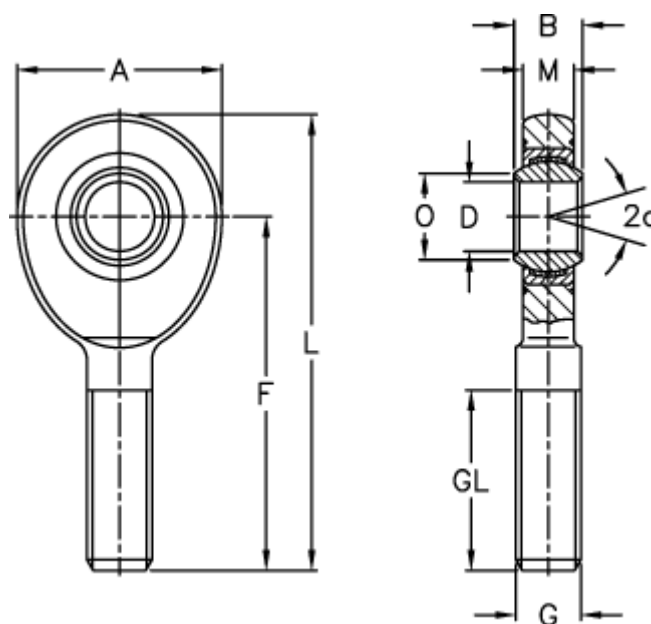


Article number: 03486025  
 Description: Fluro Rod end EAL 25D  
 Note: 25

## Measures



A	= 64	L	= 126
a (degrees)	= 7	M	= 17
B	= 20	O	= 29.3
D	= 25	Static drive kN	= 92
Dynamic drive (kN)	= 51	Weight	= 560
F	= 94		
g	= M 24x2		
GL	= 53		